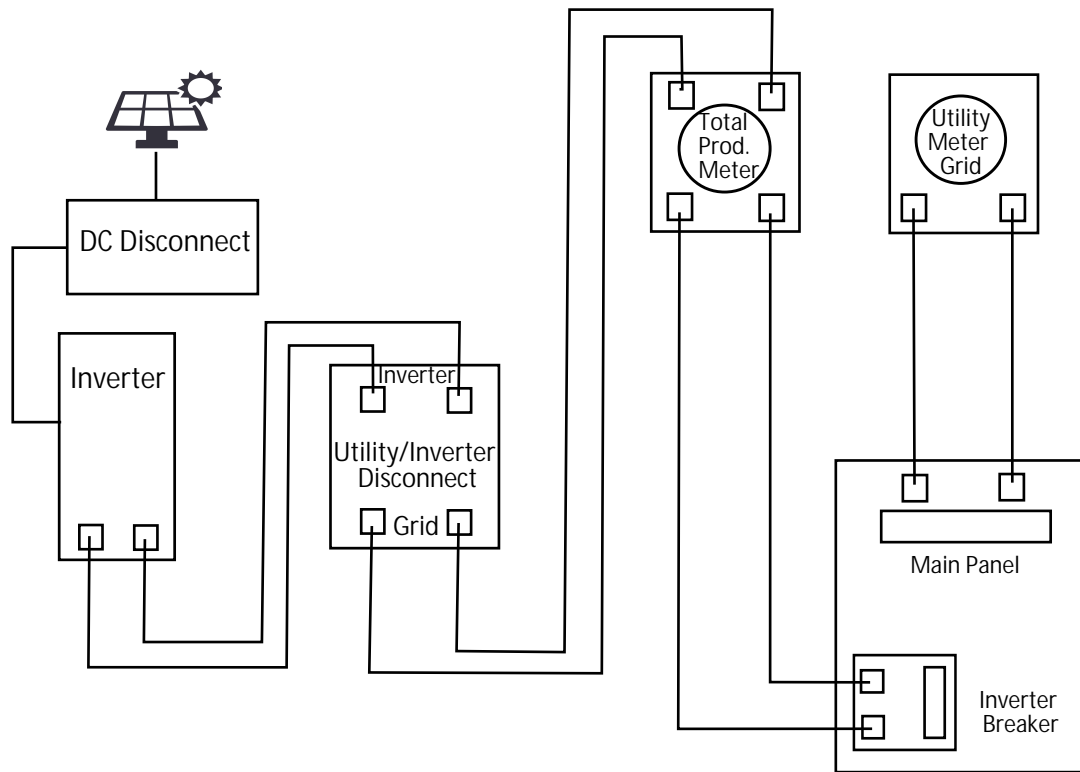


Distributed Generation Interconnection Diagram



Note: Solar systems that that are energy storage (battery) do not require a production meter.